

# Pressure Gauge

with electrical alarm contact  
outside mounted device

E 02.60.01

ed.14.01

|                            |   |
|----------------------------|---|
| <b>Type 1</b>              | Pressure gauge with stainless steel casing, wetted parts in brass                       |
| <b>Serie</b>               | <b>2040</b>   |
| <b>Case dim</b>            | Dim 100 eller 160   |
| <b>Accuray</b>             | Cl. 1,0%  |
| <b>Material</b>            | Stainless steel casing, wetted parts in brass   |
| <b>Pressure connection</b> | G3/8" or G1/2"  |
| <b>Mounting</b>            | Lower or back mount, also with back flange, front flange or triangular bezel with clamp |
| <b>Base information</b>    | See datasheet E 02.02.01 and E 02.02.02   |
| <b>Pressure range</b>      | See datasheet E 02.02.01 and E 02.02.02   |



|                            |   |
|----------------------------|---|
| <b>Type 2</b>              | Pressure gauge with stainless steel casing, wetted parts in stainless steel             |
| <b>Serie</b>               | <b>2840</b>   |
| <b>Case dim</b>            | Dim 100 eller 160   |
| <b>Accuray</b>             | Cl. 1,0%  |
| <b>Material</b>            | Stainless steel casing, wetted parts in stainless steel                                 |
| <b>Pressure connection</b> | G3/8", G1/2" or 1/2"NPT   |
| <b>Mounting</b>            | Lower or back mount, also with back flange, front flange or triangular bezel with clamp |
| <b>Base information</b>    | Datasheet E 02.08.02  |
| <b>Pressure range</b>      | See datasheet E 02.08.02  |



|                              |   |
|------------------------------|---|
| <b>Mounting</b>              | The contact device is placed in a transparent hood which is mounted on the front of the gauge.                                    |
| <b>Contacts</b>              | The contact values are set from the outside through the hood by means of a key and they can be set optionally all over the scale. |
| <b>Functions</b>             | Max- and/or minfunction, se table next side   |
| <b>Electrical connection</b> | 1 m cable is connected to a socket on the hood front  |

# Pressure Gauge

with electrical alarm contact  
outside mounted device

E 02.60.01

ed.12.01

## Magnetic snap-action contact type 821

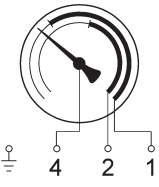
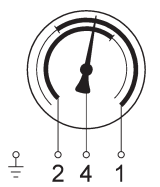
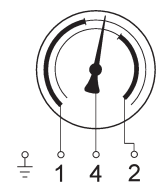
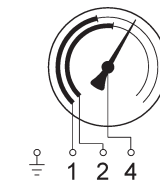
Electrical adjustable contacts

Voltage max 250 VAC, maximum load 30W, 50 VA

Contact material silver-nickel alloy(80/20) Hysteresis 2-4% of full scale range

Option extra also Gold-silver or Platinum-Iridium

1 meter cable

| Dual contacts |   |   |   |  |
|---------------|---|---|---|--|
|               | 821.11  | 821.12  | 821.21  | 821.22   |
|               |  |  |  |  |
|               | 2 x max   | min - max   | max - min   | 2 x min  |
|               | contact makes by rising pressure  | contact breaks by falling and rising  | contact makes by falling and rising   | contact breaks by rising pressure  |
| Dim 100       | 98300001  | 98300002  | 98300003  | 98300004   |
| Dim 160       | 98300501  | 98300502  | 98300503  | 98300504   |

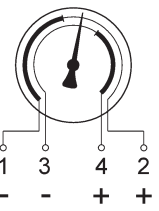
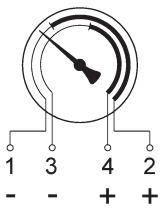
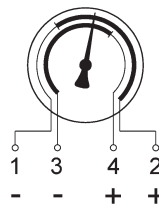
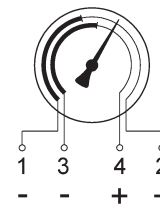


## Inductive contact type 831

Electrical adjustable contacts

The inductive contact is well suited to severe operating conditions, such as extremely swift changes or when an explosion safe design is necessary. The contacts are completely protected from touch and the hysteresis is less than 0,5%

1 meter cable

| Dual contacts |   |   |   |  |
|---------------|---|---|---|--|
|               | 831.21  | 831.11  | 831.12  | 831.22   |
|               |  |  |  |  |
|               | max - min   | 2 x max   | min - max   | 2 x min  |
|               | contact makes by falling and rising   | contact makes by rising pressure  | contact breaks by falling and rising  | contact breaks by rising pressure  |
| Dim 100       | 98301003  | Base design type 831.21<br>Other functions possible with control unit               |   |  |
| Dim 160       | 98301503  |   |   |  |



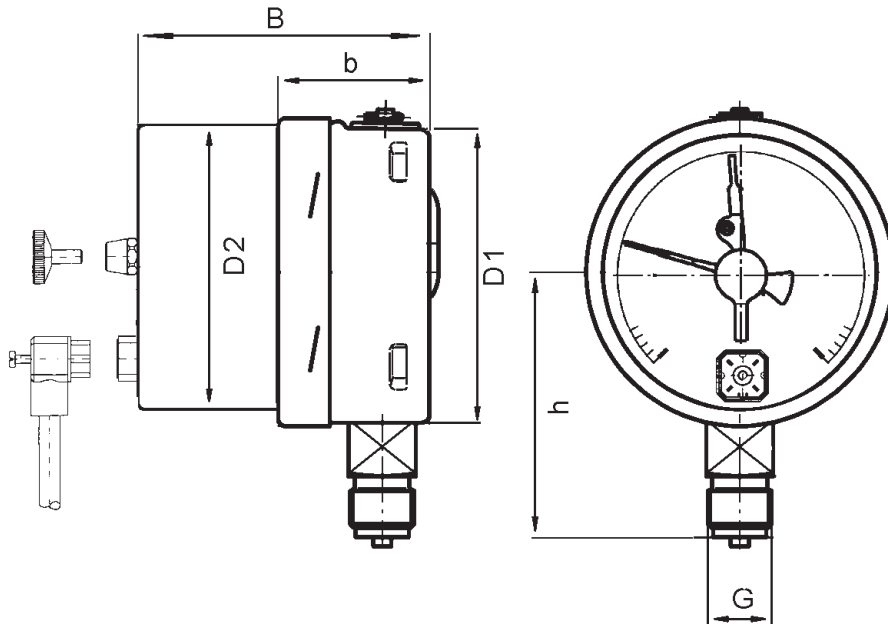
# Pressure Gauge

with electrical alarm contact  
outside mounted device

E 02.60.01

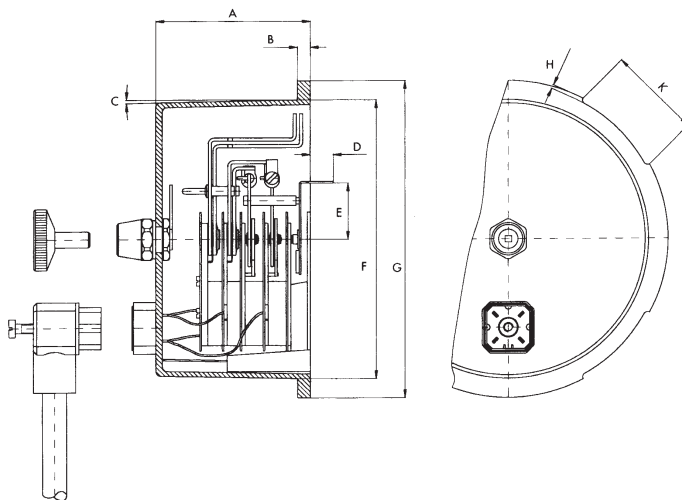
ed.12.01

## Lower mount type 2040 and 2840 with outside mounted contact device



| Type | Case | b    | B  | D1  | D2    | h   | G                       |
|------|------|------|----|-----|-------|-----|-------------------------|
| 2040 | 100  | 49,5 | 90 | 99  | 86,5  | 87  | G3/8" - G1/2"           |
| 2040 | 160  | 49,5 | 99 | 159 | 146,5 | 118 | G3/8" - G1/2"           |
| 2840 | 100  | 49,5 | 90 | 99  | 86,5  | 87  | G3/8" - G1/2" - 1/2"NPT |
| 2840 | 160  | 49,5 | 99 | 159 | 146,5 | 118 | G3/8" - G1/2" - 1/2"NPT |

## Contact device with electrical contact and cable



| Case | A    | B   | C   | D   | E    | F     | G     | H    | K    |
|------|------|-----|-----|-----|------|-------|-------|------|------|
| 100  | 47,5 | 4,0 | 1,0 | 6,0 | 17,5 | 86,5  | 98,5  | 1,25 | 29,0 |
| 160  | 56,2 | 4,0 | 1,0 | 6,0 | 22,5 | 146,5 | 158,0 | 1,25 | 29,0 |

### AB Svenska Industri Instrument SINI

Head office Box 8923, SE-402 73 Göteborg  
Branch office Box 1208, SE-751 42 Uppsala

### Visiting Address

Exportgatan 38 D  
Suttungsgränd 3

### Telephone

+46 31 7425600  
+46 18 100033

### Telefax

+46 31 7425601  
+46 18 100044

### Internet

www.sini.se  
mail: info@sini.se



Part of your business